

1064nm High Power Isolator 1W ~ 20W



Features

Low Insertion Loss

High Isolation

High Power Handling

High Return Loss

Applications

Fiber Laser

Instrumentation

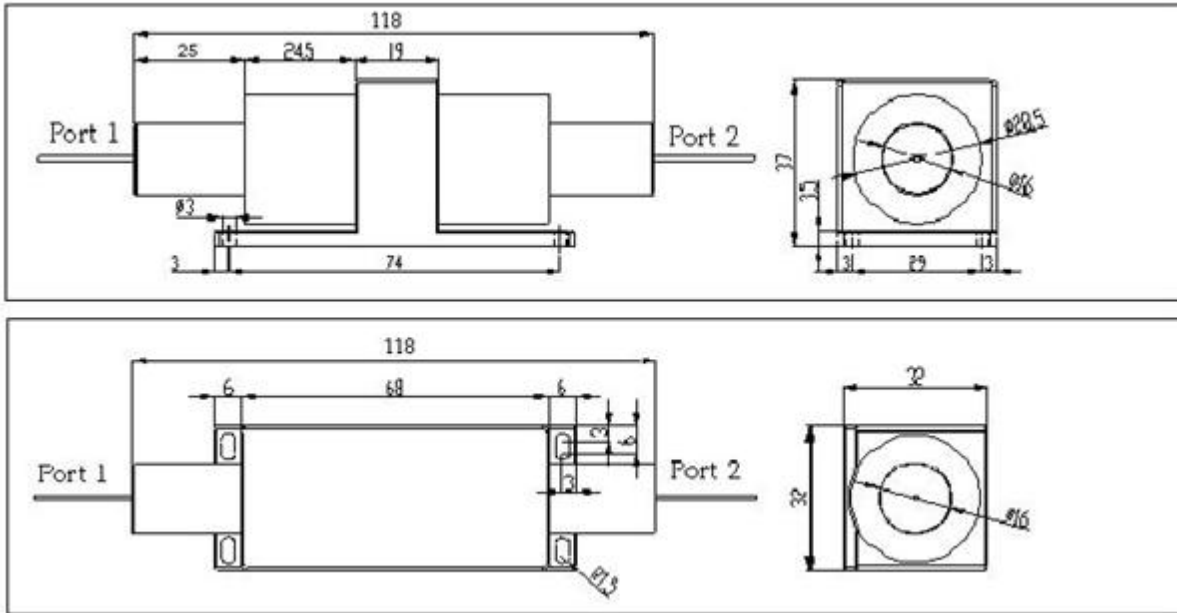
Fiber Amplifier

Lab Research

Performance Specifications

Parameters	Unit	Values
Center Wavelength (λ_c)	nm	1064 or Specify
Operating Wavelength Range	nm	± 10
Typ. Peak Isolation	dB	30~35
Min. Isolation at 23°C	dB	25
Typ. Insertion Loss	dB	0.8
Max. Insertion Loss at 23°C, λ_c	dB	1.2
Min. Return Loss (Port1/Port2)	dB	50/50
Max. Polarization Dependent Loss	dB	0.15
Max. Optical Power (CW)	W	1, 3, 5, 10, 20 or Specify
Max. Tensile Load	N	5
Fiber Type		HI 1060 Fiber
Operating Temperature	°C	-5 to +50
Storage Temperature	°C	-20 to +75

Size



Ordering Information

HP11-①①-②②-③③-④④-⑤⑤-⑥⑥		
①①: Wavelength	③③: Handling Power	⑤⑤: Fiber Jacket on Port 1 & 2
06 - 1064nm	01 - 1W	L - 900um Loose Tube
SS - Specify	03 - 3W	C - 3mm Loose Cable
	05 - 5W	A - 3mm Armoured Cable
②②: Package Type	10 - 10W	B - 6mm Armoured Cable
C1 - Type C1	S - Specify	S - Specify
C2 - Type C2		
	④④: Connector Type on Port 1 & 2	⑥⑥: Fiber Length
	N - None	0.8 - 0.8m
	S - Specify	S - Specify